

2007 Porsche Boxster S

ACCESSORIES & EQUIPMENT Linings, insulation

"removing" [987120 987121] --> 705719 Removing and installing A-pillar trim panel - chapter on "removing" [987310 987311 987320 987321]

REMOVING COVER FOR DASHBOARD (DEFROSTER TRIM)

Removing cover for center dashboard (defroster trim)

Installation Location:

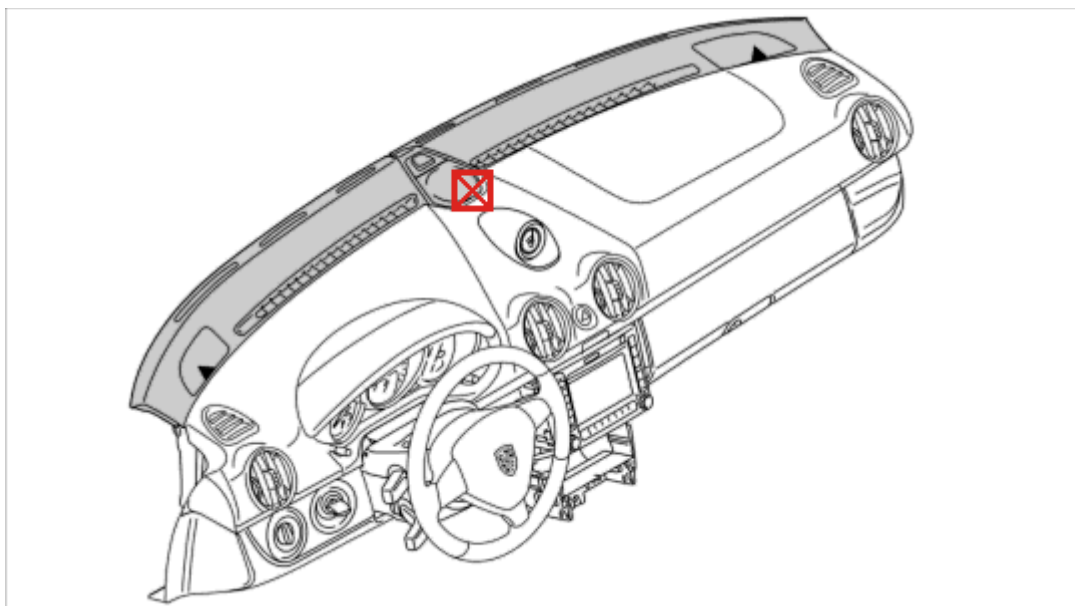


Fig. 99: Installation position for center dashboard cover (defroster trim)
Courtesy of PORSCHE OF NORTH AMERICA, INC.

2007 Porsche Boxster S

ACCESSORIES & EQUIPMENT Linings, insulation

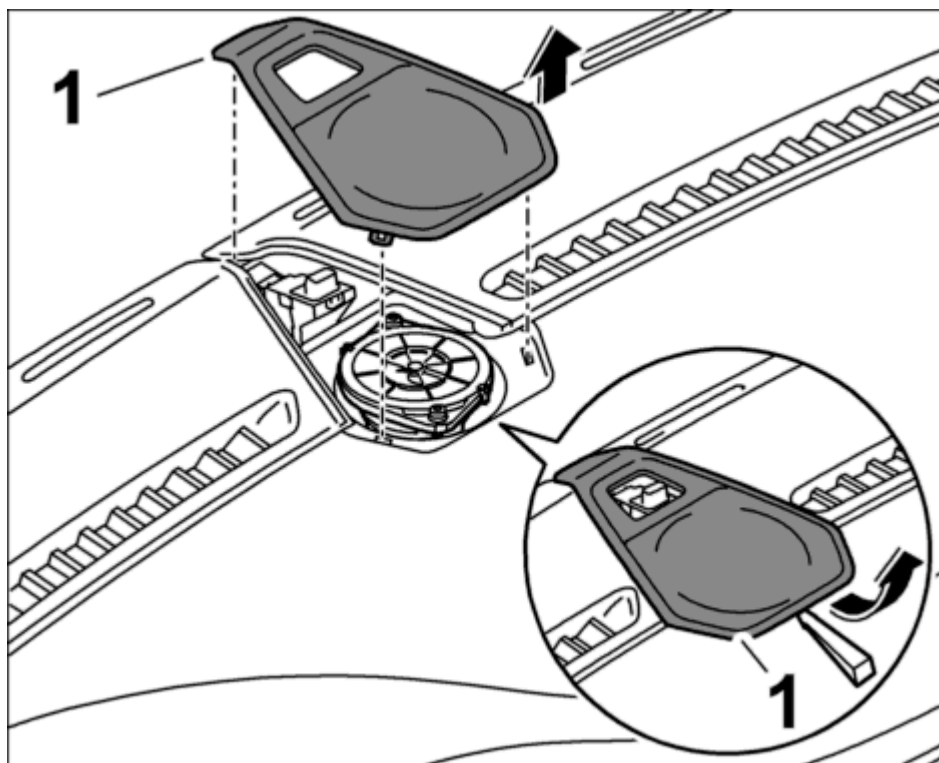


Fig. 100: Removing center cover

Courtesy of PORSCHE OF NORTH AMERICA, INC.

1. Insert plastic wedge under dashboard cover (defroster trim) center -1- and lever out in upward direction - arrow- . See **Fig. 100**.

2. Disconnect plug connection for sun sensor.

Removing cover for dashboard (defroster trim) on right and left

Installation Location:

2007 Porsche Boxster S

ACCESSORIES & EQUIPMENT Linings, insulation

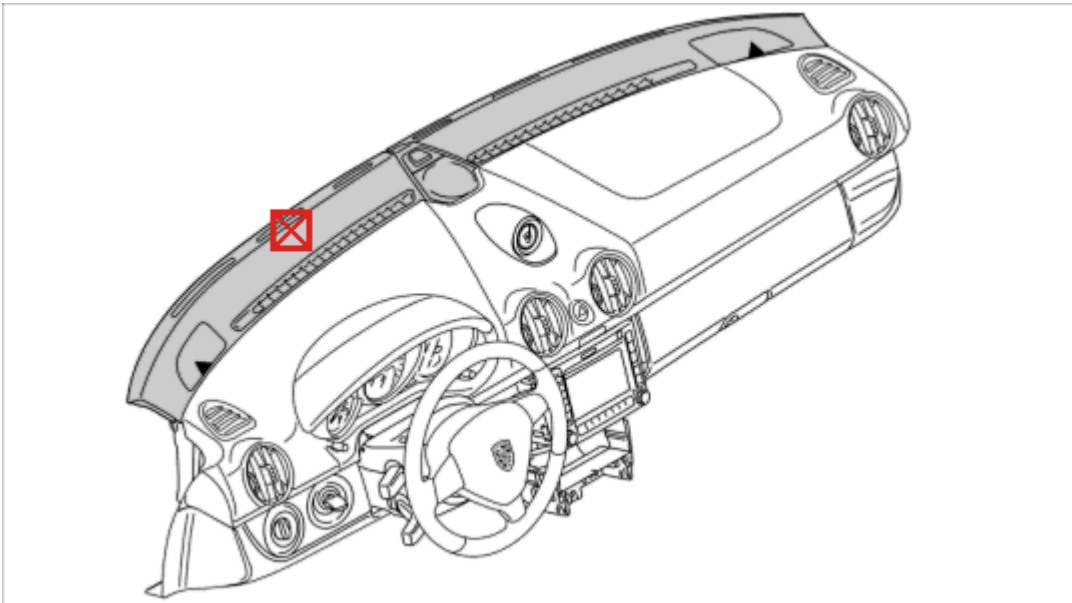


Fig. 101: Installation position for dashboard cover (defroster trim)
Courtesy of PORSCHE OF NORTH AMERICA, INC.

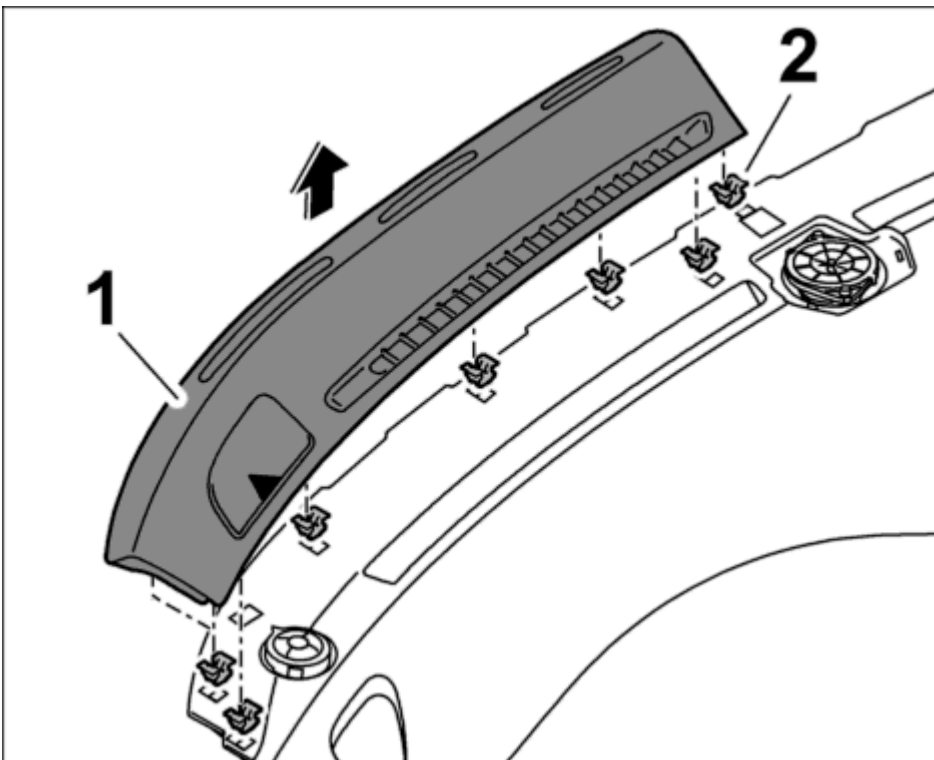


Fig. 102: Removing side cover
Courtesy of PORSCHE OF NORTH AMERICA, INC.

1. Insert plastic wedge under dashboard cover (defroster trim) left and right -4- and lever out of sheetmetal clips -5-. See [Fig. 102](#).

INSTALLING COVER FOR DASHBOARD (DEFROSTER TRIM)

Installing cover for dashboard (defroster trim) on right and left

Installation Location:

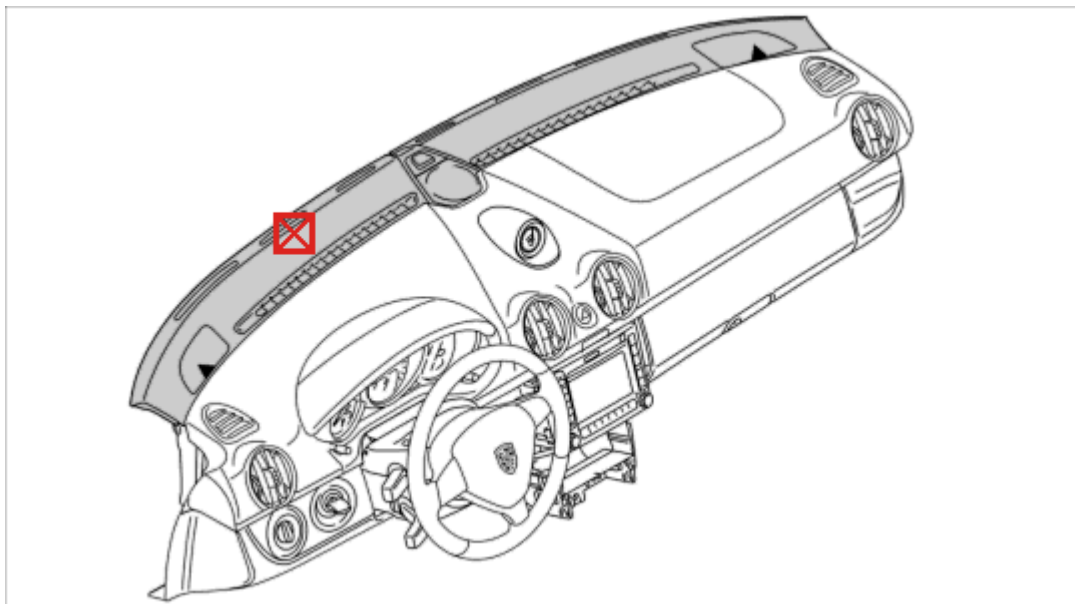
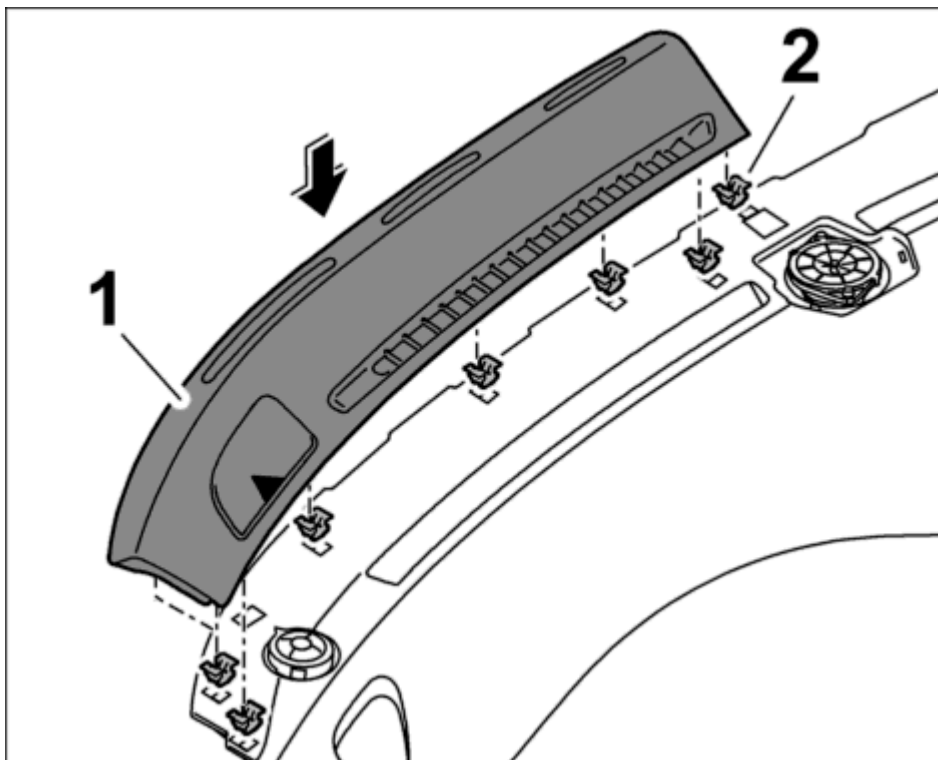


Fig. 103: Installation position for dashboard cover (defroster trim)
Courtesy of PORSCHE OF NORTH AMERICA, INC.



2007 Porsche Boxster S

ACCESSORIES & EQUIPMENT Linings, insulation

Fig. 104: Installing side cover

Courtesy of PORSCHE OF NORTH AMERICA, INC.

1. Check sheetmetal clips -5- for deformation; replace if necessary. See **Fig. 104**.
2. Clip cover for dashboard (defroster trim) into place on left and right -4- . See **Fig. 104**.

Installing center dashboard cover (defroster trim)

Installation Location:

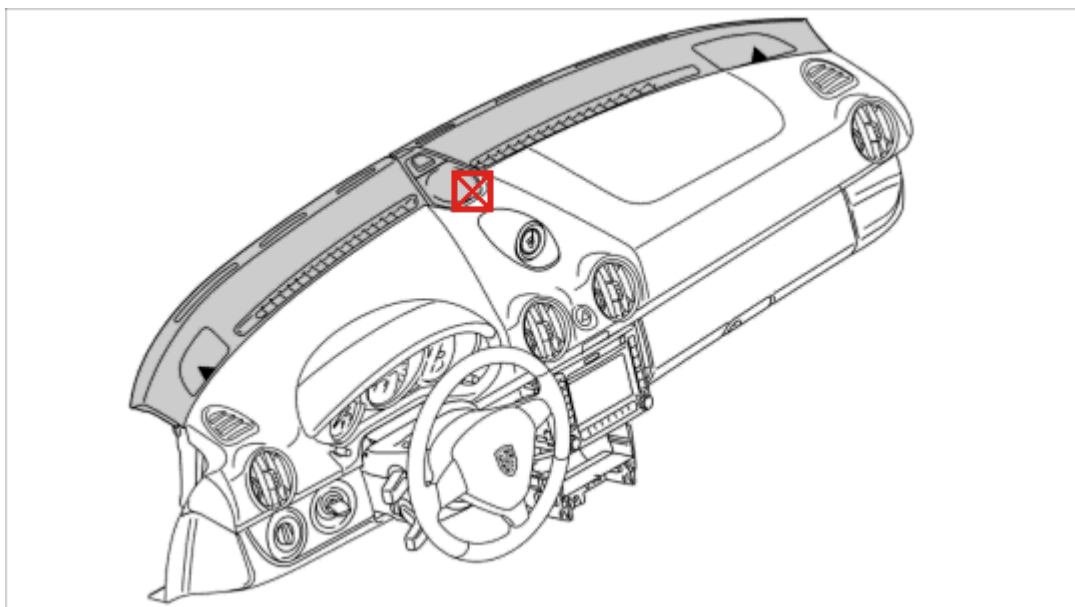


Fig. 105: Installation position for center dashboard cover (defroster trim)

Courtesy of PORSCHE OF NORTH AMERICA, INC.

1. Lock plug connection for sun sensor.

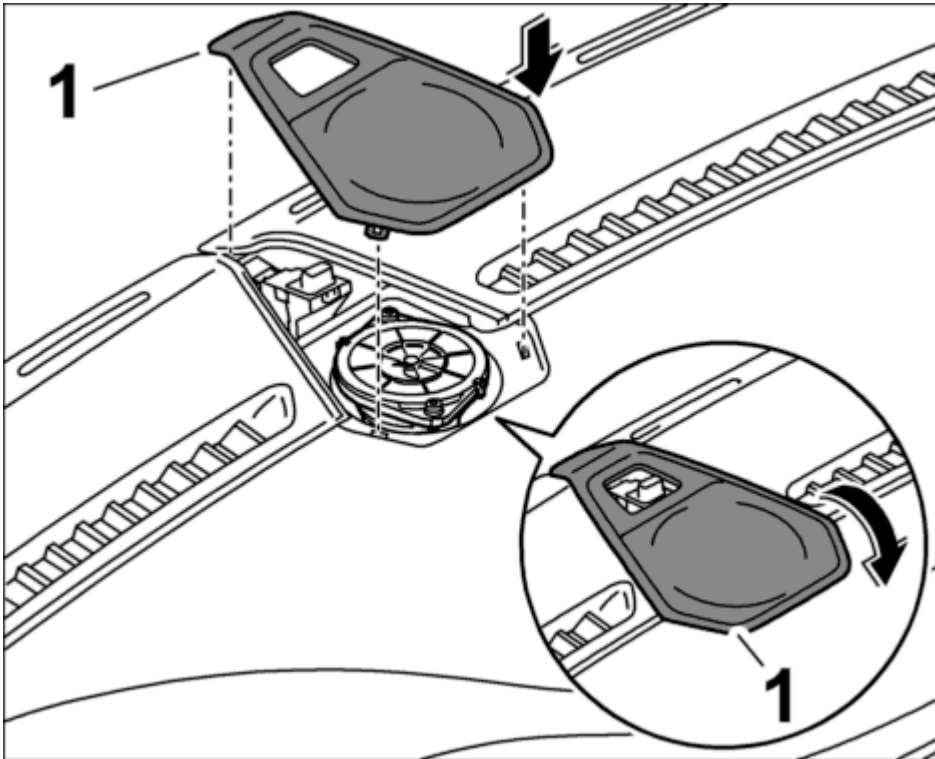


Fig. 106: Install center cover

Courtesy of PORSCHE OF NORTH AMERICA, INC.

2. Position center dashboard cover (defroster trim) -1- and clip in -arrow- . See **Fig. 106**.

SUBSEQUENT WORK

Subsequent work

Install A-pillar trim panel. --> **705719 Removing and installing A-pillar trim panel - chapter on "installing" [987120 987121]** --> **705719 Removing and installing A-pillar trim panel - chapter on "installing" [987310 987311 987320 987321]**

70 22 19 REMOVING AND INSTALLING COVER (COLD AIR BULKHEAD) - AS OF MY 2005 (ALL MODELS)

REMOVING COVER (COLD AIR BULKHEAD)

Removing cover (cold air bulkhead)